



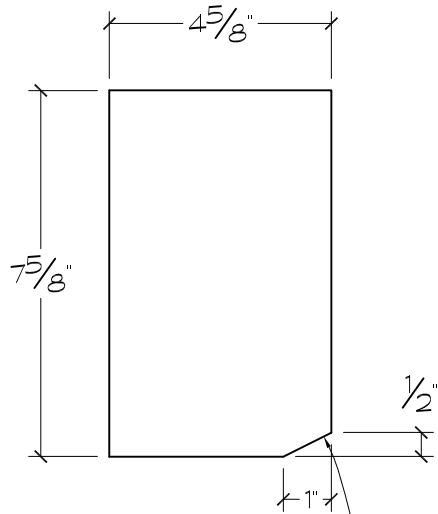
Harvey Cement Products, Inc.

Since 1947

16030 Park Avenue, Harvey, IL 60426

Ph: 708.333.1900 F: 708.333.1910

www.harveycement.com



CROSS SECTION

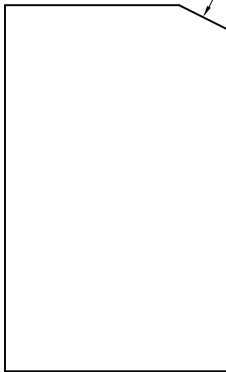
1

PROFILE BZ

ARCH REF:
SCALE: 3"=1'-0"

CHAMFER LOWER
CORNER FOR
CORNICHE USE

CHAMFER UPPER
CORNER FOR USE
AS BAND

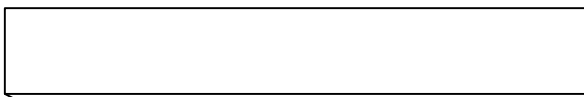


CAN BE USED AS CORNICHE WITH CHAMFER AT BOTTOM EDGE

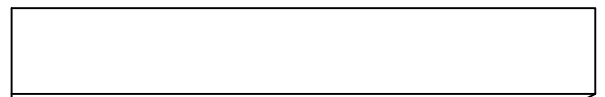
FRONT VIEWS



STRAIGHT



LEFT END RETURN



RIGHT END RETURN

DRIP EDGE - OPTIONAL

Profile ID

BZ

SUGGESTED USE

Sill	X
Transition Band	X
Coping	
Cap	X
Band	X
Cornice	X

**TYPE / SIZE
AVAILABILITY**

TYPE	LENGTH(S)
Straight	Up to 47 5/8"
Left End Return	Up to 48 5/8"
Right End Return	Up to 48 5/8"